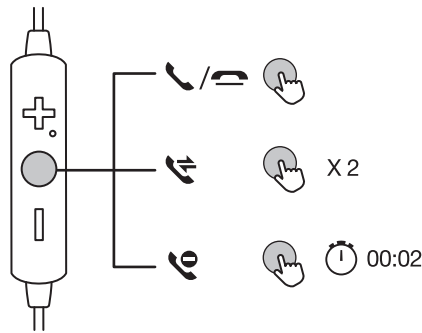


paper size: 240 (W) x 125 (H) mm  
 folding size: 80 (W) x 125 (H) mm  
 color: 1C printing (double side printing)



## 7. Call features



# WE ARE READY TO HELP

contact us first with any questions

For the full user manual in all languages or for help visit:  
[www.tcl.com](http://www.tcl.com)

2019©TCL Entertainment Solutions Limited. All rights reserved.  
 This product has been manufactured by and is sold under the responsibility of  
 TCL Entertainment Solutions Limited.

Brand name/model number: TCL/SOCL100BT  
 This device complies with part 15 of the FCC Rules. Operation is subject to the following  
 two conditions: (1) This device may not cause harmful interference, and (2) this device must  
 accept any interference received, including interference that may cause undesired operation.  
 Suppliers Name: TTE Technology, Inc.  
 Suppliers Address (USA): 1860 Compton Ave, Corona, CA 92881, USA  
 Suppliers phone number and/or internet contact information: [www.tclusa.com](http://www.tclusa.com)

低功率電波輻射性電機管理辦法

第十二條 經型式認證合格之低功率射頻電機，非經許可，公司、商號或使用者均不得  
 擅自變更頻率、加大功率或變更原設計之特性及功能。

第十四條 低功率射頻電機之使用不得影響飛航安全及干擾合法通信；經發現有干擾現  
 象時，應立即停用，並改善至無干擾時方得繼續使用。前項合法通信，指依電信法規定  
 作業之無線電通信。低功率射頻電機須忍受合法通信或工業、科學及醫療用電波輻射性  
 電機設備之干擾。

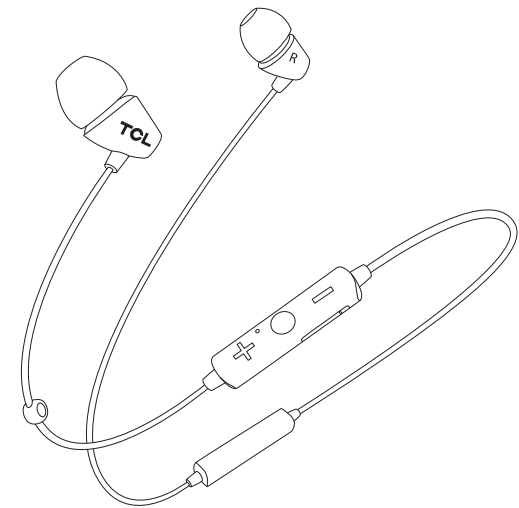


ADVERTÊNCIA: Cuidados com a utilização e descarte de pilhas e baterias.  
 Não descarte as pilhas e baterias juntamente ao lixo doméstico.  
 O descarte inadequado de pilhas e baterias pode representar riscos ao meio  
 ambiente e à saúde humana.

Para contribuir com a qualidade ambiental e com sua saúde, a TCL receberá  
 pilhas e baterias comercializadas ou fornecidas com seus produtos após seu  
 fim de vida, que serão encaminhadas à destinação ambientalmente correta.  
 A TCL dispõe de pontos de coleta em Assisências Técnicas.

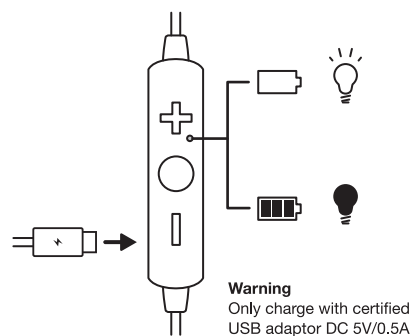


Hi! Let's get started.

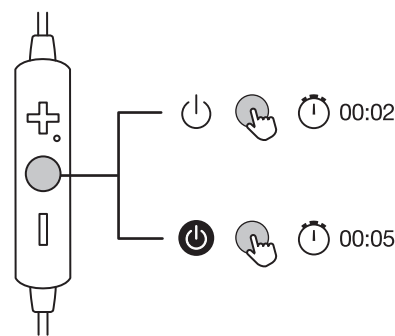


TCL SOCL100BT  
 Quick start guide

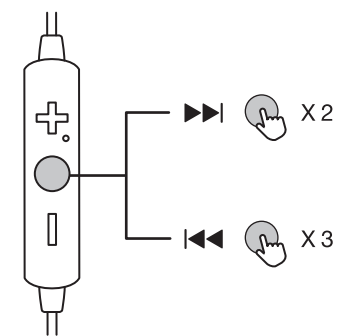
## 1. Charging



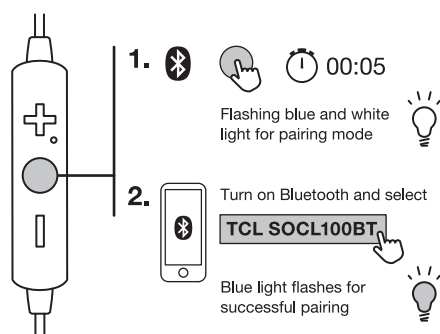
## 3. On / Off



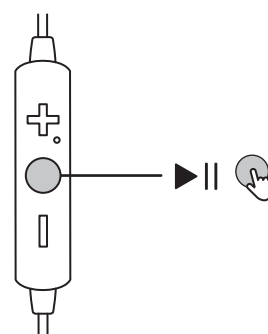
## 5. Track control



## 2. Pairing



## 4. Play / Pause



## 6. Volume control

